

Product Specifications

Receiving card

HD-R516T

V0.1 20210408

1. Overview

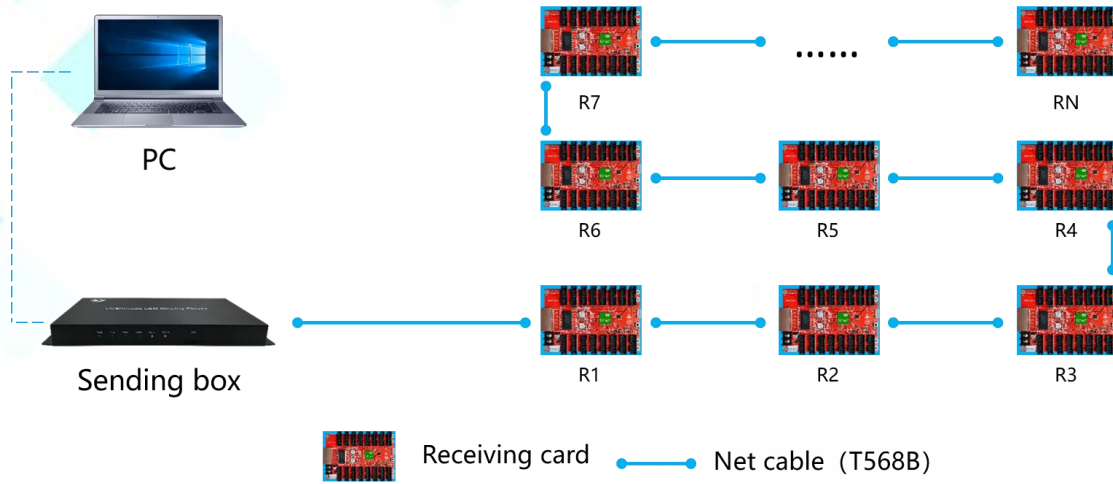
R516T, on-board 16*HUB75E ports, compatible with R series HUB75 port receiving card.

2. Parameters

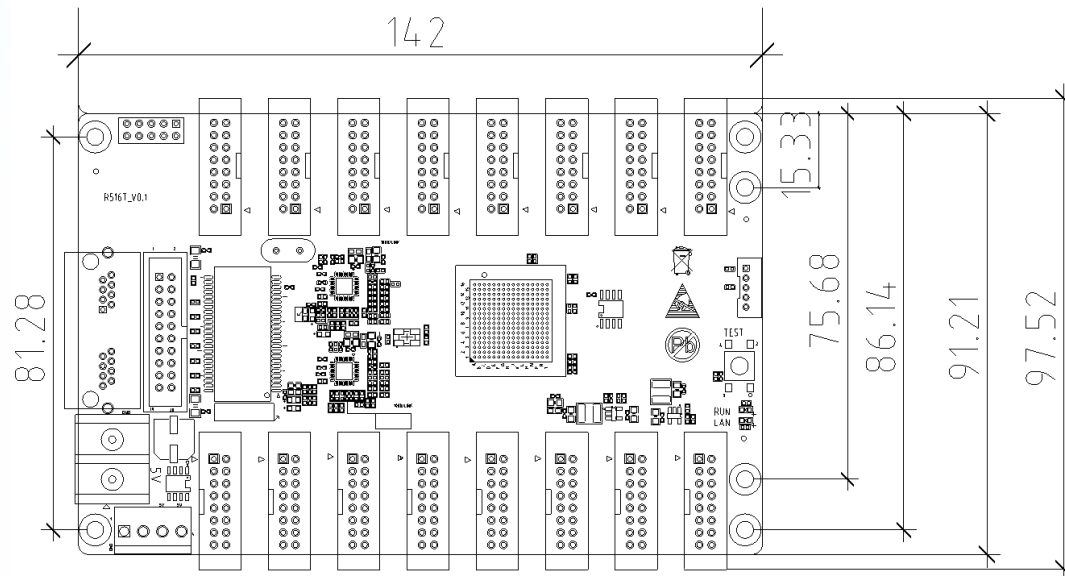
With sending card	Dual-mode sending box, Asynchronous sending card, Synchronous sending card, Video processor of VP series.
Module type	Compatible with all common IC module, supported most PWM IC module.
Scan mode	Supports any scanning method from static to 1/64 scan
Communication method	Gigabit Ethernet
Control range	Maximum recommend: 131,072 pixels (128*1024) Outdoor module width ≤ 256 , Indoor module width ≤ 128
Multi-card connection	Receiving card can be put in any sequence.
Gray scale	256~65536
Smart setting	A few simple steps to complete the smart settings, through the screen layout can be set to go with any alignment of the screen unit board
Test functions	Receiving card integrated screen test function, Test display brightness uniformity and display module flatness.
Communication distance	Super Cat5,Cat6 network cable within 80 meters
Port	5V DC Power*2,1Gbps Ethernet port*2, HUB75E*16
Input voltage	4V-6V
Power	5W

3. Connection Method

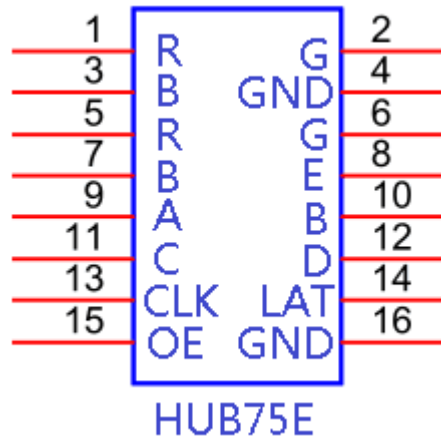
Connection diagram of connecting R516T with player A6:



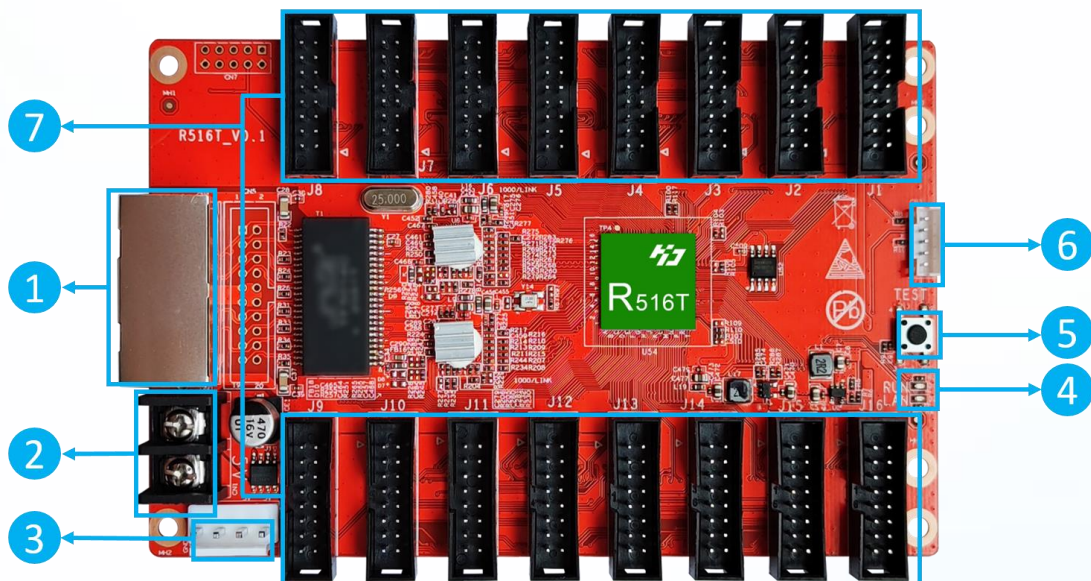
4. Dimensions



5. Interface definition



6. Appearance Description



①: Gigabit Ethernet port, used to connect the sending card or receiving card, the same two network ports are interchangeable,

②: Power interface, can be accessed with 4V ~ 6V DC voltage;

③：Power interface, can be accessed with 4V ~ 6V DC voltage; (②,③ connect one of them is ok.)

④：Work indicator, D1 flashes to indicate that the control card is running normally; D2 flashes quickly to indicate that Gigabit has been recognized and data is being received.

⑤：Test button, used to test display brightness uniformity and display module flatness.

⑥：External indicator light, run light and data light,

⑦：HUB75Eport, connect to the modules.

7. Technical Parameters

	Minimum	Typical	Maximum
Rated voltage(V)	4.0	5.0	6.0
Storage temperature(°C)	-40	25	105
Work environment temperature(°C)	-40	25	80
Work environment humidity (%)	0.0	30	95
Net weight (kg)	≈0.103		
Certificate	CE, FCC, RoHS		

Precautions

1) Ensure the system long-term stable running, please keep to use the standard 5V power supply voltage.

2) Different production batches, color appearance and labels may be different.